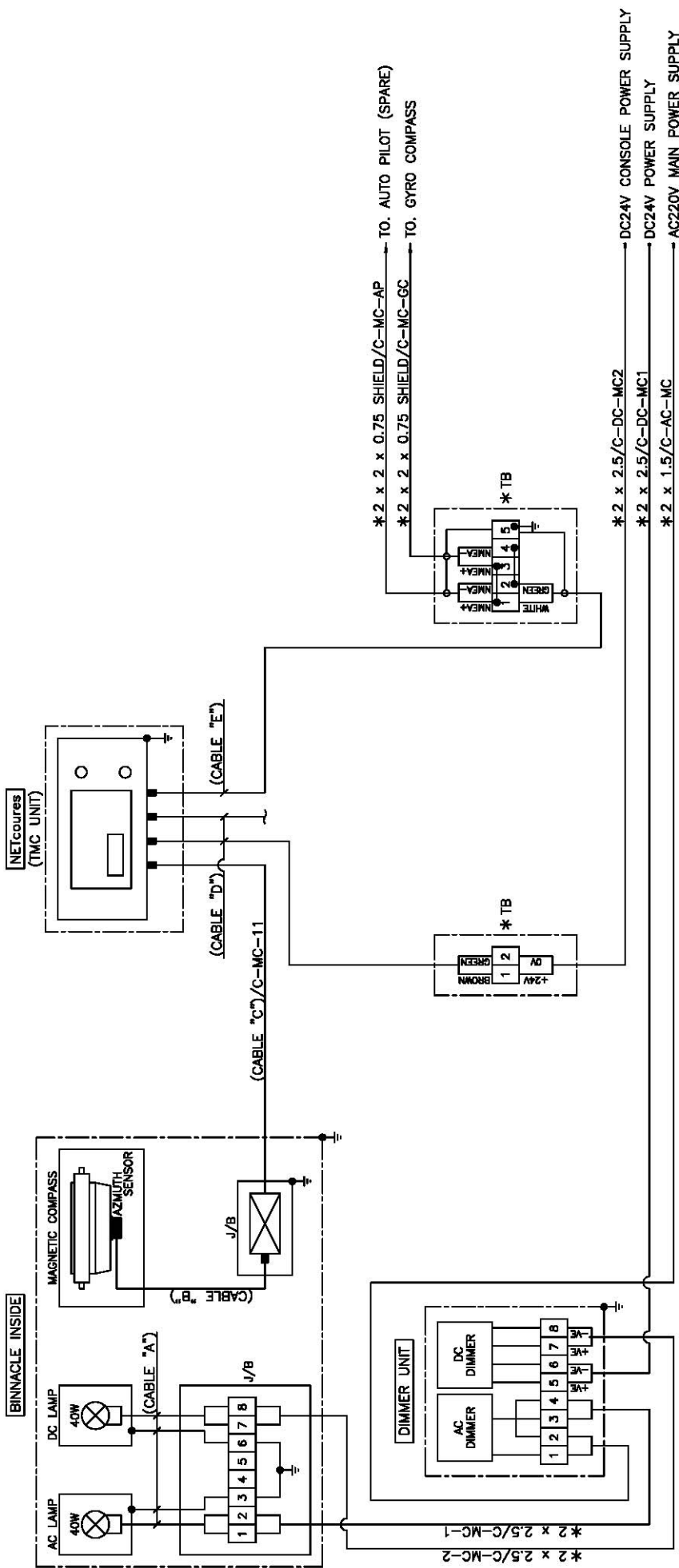


Ship No. :



SUPPLY LIST OF MAKER CABLE

NO.	TAG.	DESCRIPTION	REMARK
1	CABLE "A"	3-WAY, 1.5mm ² , 1.5M (STD.)	
2	CABLE "B"	DETECTOR CABLE, 1.5m, 5-WAY, SCREENED, WITH CONNECTOR	
3	CABLE "C"	DETECTOR CABLE, 30m, 5-WAY, SCREENED, WITH CONNECTOR	
4	CABLE "D"	4M, 2-WAY, SCREENED, WITH CONNECTOR	
5	CABLE "E"	DATA OUTPUT, 4M, 2-WAY, SCREENED, WITH CONNECTOR	INTERNAL WIRING

SUPPLY LIST OF YARD CABLE & OTHERS

1. ONLY "*" MARKS.

NOTE

- DON'T CUT THE MAKER SUPPLY CABLE "C" AT SHIPYARD.

△				
△				
△	FOR APPROVAL	2009		
REV.	DESCRIPTION	DATA	DRAW. CHECK.	APP.
APP. BY	<u>TITLE</u> MAGNETIC COMPASS SYSTEM			
CHEK. BY	WIRING DIAGRAM			
DRAW. BY	MODEL NO.		DRAWING NO.	
	SCALE	N/S		
CASSENS & PLATH				